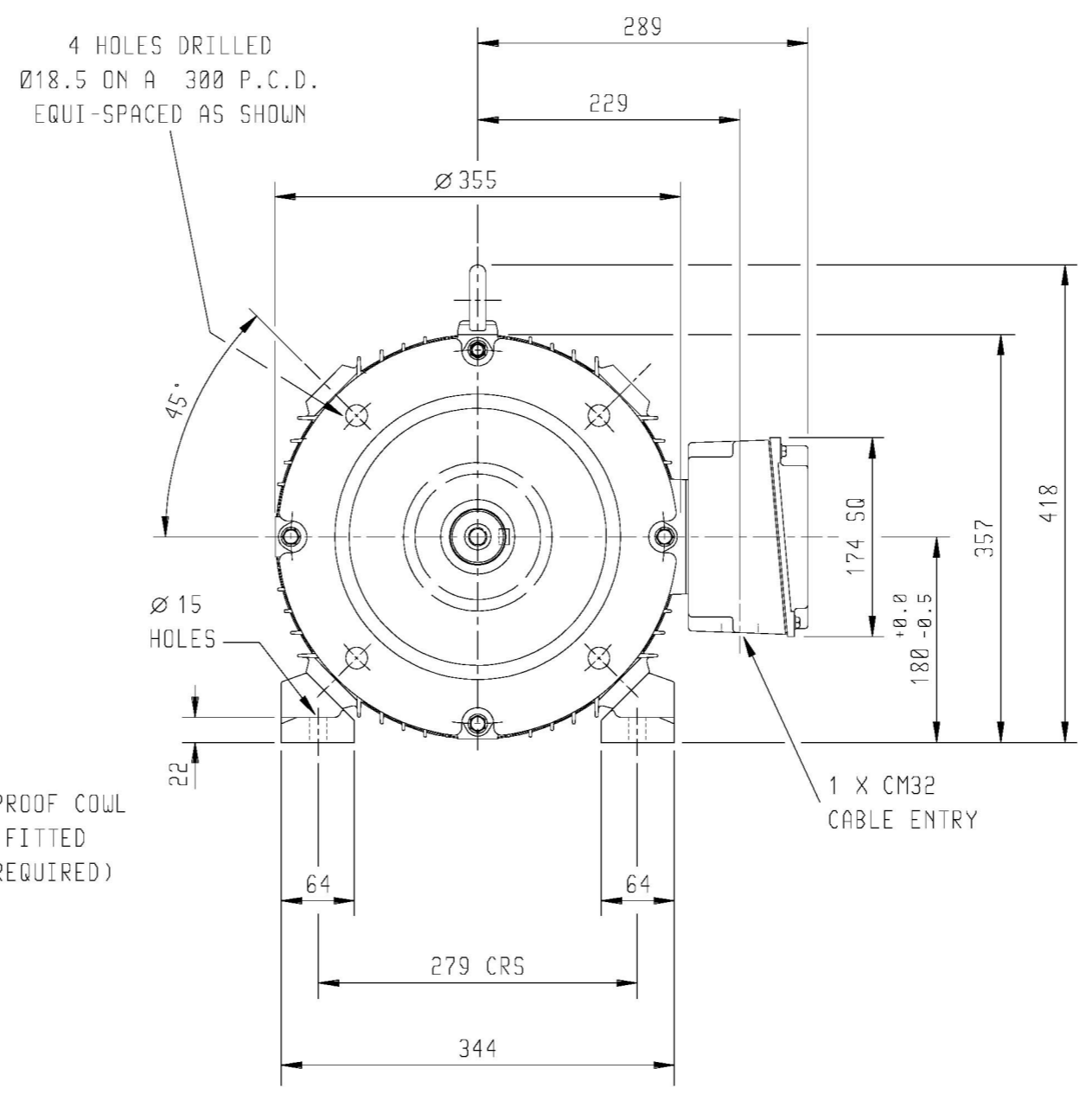
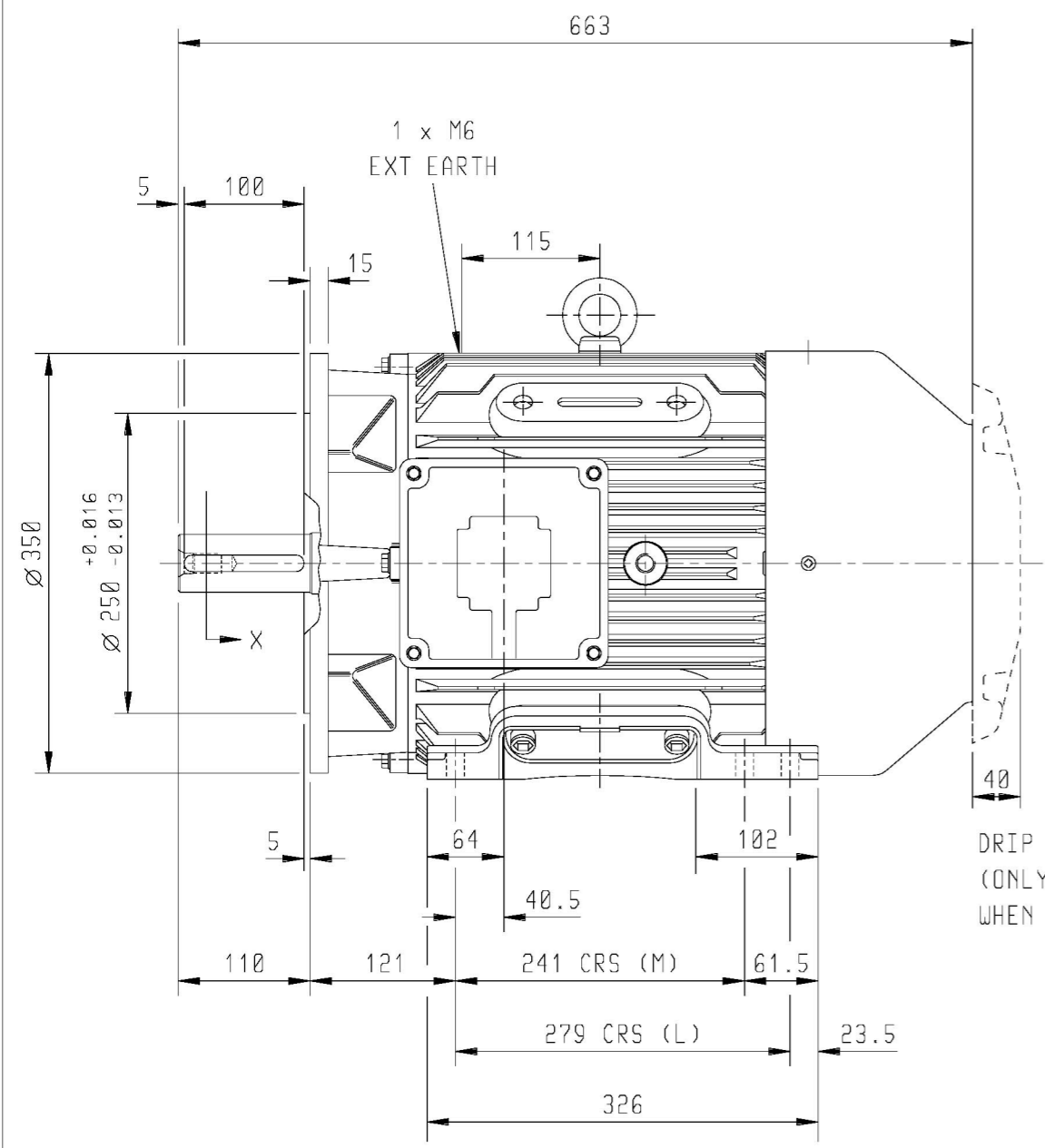


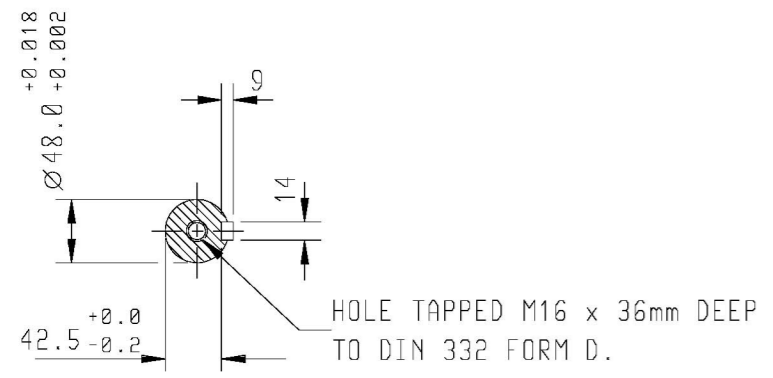
DRG. No.
 DRG. REF.

CUSTOMER		
ORDER No.		
PART No.		
OUR ORDER No.		
FRAME SIZE		
KW.	RPM.	
Hz	PHASE	
VOLTS	POLES	
BRGS.	DE.	NDE.
MOTOR NETT WT.		Kg.
SPECIAL REMARKS		



4 HOLES DRILLED
 Ø18.5 ON A 300 P.C.D.
 EQUI-SPACED AS SHOWN

DRIP PROOF COWL
 (ONLY FITTED
 WHEN REQUIRED)



SECTION ON 'X'

DRAIN HOLES:- WHEN TERMINAL BOX IS MOVED FROM STANDARD POSITION THEY WILL NEED TO BE PLUGGED AND RE-LOCATED ELSEWHERE - IF REQUIRED
 TERMINAL BOX POSITION : - CAN BE ARRANGED AT EITHER 9, 12 OR 3 O'CLOCK BY MOVING FEET.
 STANDARD TERMINAL BOX POSITION IS 3 O'CLOCK AS SHOWN.
 CONDUIT ENTRIES:- TERMINAL BOX CAN BE ROTATED AT 90° INTERVALS (CONDUIT ENTRY POSITION SHOWN FOR ILLUSTRATION ONLY).

ALL DIMENSIONS IN MILLIMETRES.



BROOK CROMPTON

SHEET SIZE A3	TITLE	OUTLINE DIMENSION DRAWING W CAST IRON TOTALLY ENCLOSED FAN COOLED 180M/L FRAME FOOT AND 'D' FLANGE MOUNTED MOTOR
	DRAWN	
	CHECKED	
	SCALE	1 : 6

NAME	DATE

DRG. No.	
DRG. REF.	
REVISION:	
DATE	